

Level Process Display

TVL SERIES - SIMPLE PLUG & PLAY DESIGN



IRC-20
IR Remote Controller
Remote controller is not a part of the device and is available on request.

- ▶ All in One - Controller + NEMA 4X Enclosure
- ▶ Input : 4-20 mA
- ▶ 1A Relay Output + 4-20mA Output
- ▶ Power Supply Output: 24V DC
- ▶ RS-485/ Modbus RTU Standard
- ▶ Signal Peak Value Detection
- ▶ 3 Wire Cord Grips Included
- ▶ 2 Relay Output

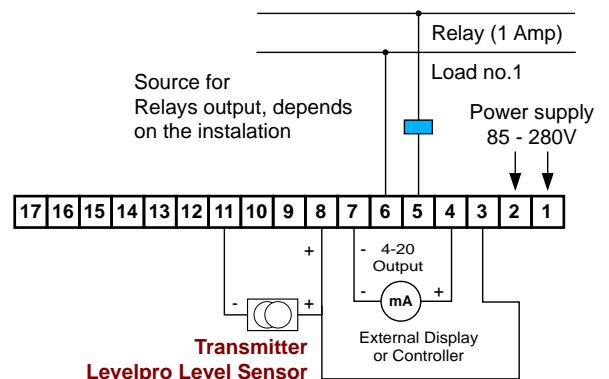
The TVL Series Process Meter Features an Easy, Functional Programming Menu "That is Easy to Operate" and a Clear 4-Digit, 20 mm High "Bright" LED Display. The Tight Enclosure with High Protection "NEMA 4X " Class (IP 65) Makes it an Ideal Choice for Heavy- Duty Applications. The Optional Infrared Controller can be Used to to Change the Settings without Opening the Enclosure.

TECHNICAL DATA

| | |
|----------------------------------|--|
| Power supply / Power consumption | 85 - 260V AC/DC, |
| Display | LED, 4 x 20 mm High, Red, Adjustable Brightness. |
| Displayed values | -999 - 9999 - decimal point |
| Input | Current: 0-20 mA or 4-20 mA, |
| Accuracy | 0.1% @25°C ± One Digit |
| Stability | 50 ppm/°C |
| Outputs (option) | 0 or 2 x REL I _{max} =1A, 1 x REL + 4-20 mA |
| Passive current output (option) | 4-20mA, (Operating Range Max. 2.8 - 24 mA,) |
| Power supply output | 24V DC |
| Communication Interface | RS-485 |
| Operating temp | -4 - 158 °F (-20 -70 °C) |
| Storage temp | -4 - 158 °F (-20 -70 °C) |
| Protectionclass | NEMA 4X (IP65) |
| Case | Wall-Mounted; Material: Polycarbonate |
| Dimensions (WxNxH) | 110 x 105 x 67 mm |



PIN ASSIGNMENT



ORDERING

TVL - ITC 550-182X-1-X-08

Type of Outputs:

1 : 2 x REL

9 : 1 x REL + 1 x Current Output - (4-20mA)

08 : Operating Temp.
-4 - 158 °F (-20 -70 °C)

Power Supply:

4 : 85V - 260V AC/DC - (STD)

ACCESSORIES



IR Remote Controller
IRC-20

